

DATA SHEET

Part N°DS TB 22-1650

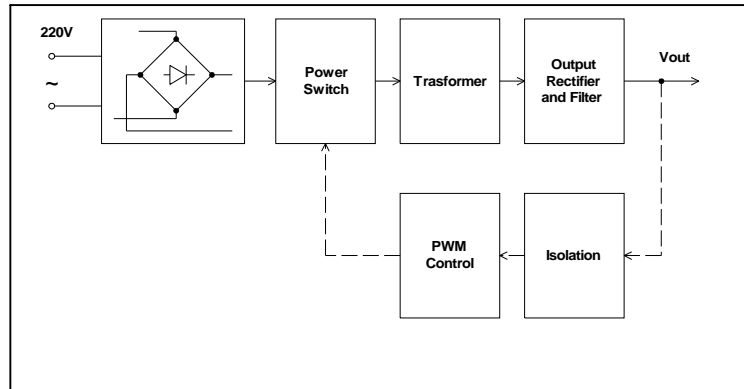
MIC-22 **TERMINAL BLOCK**

MIC-650 *Power supply*

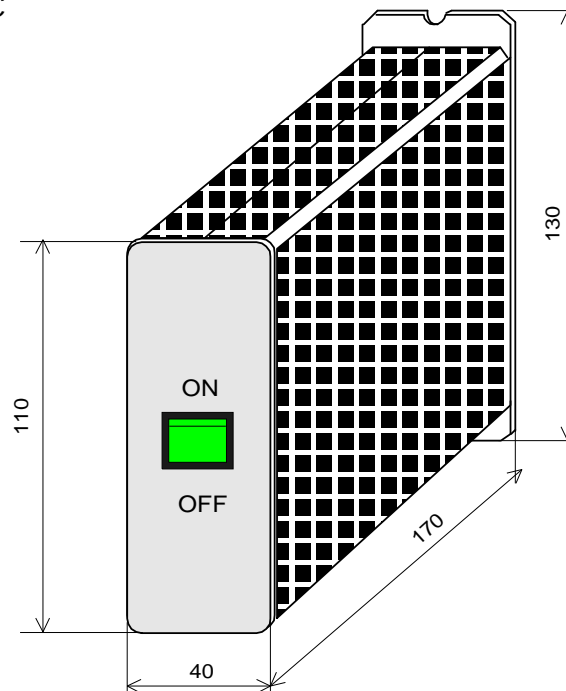
The module is a switching regulator, where the regulated output voltage is directly proportional to the PWM duty cycle.

Specifications:

- Input voltage range: 170-264VAC
- Output voltage adjustment range: $\pm 10\%$
- Regulation: - Input variation: $\pm 0.2\%$ max,
- Load variation: $\pm 0.5\%$ max
- Ripple and noise: (20MHz BW): $< 80\text{mV}$ pk-pk
- Output current limitation: 120-140% I_{out}
- Overvoltage protection: 110-130% V_{out}
- Efficiency: 80% typ.
- Operating temperature range: $-10^{\circ}\text{C} \dots +60^{\circ}\text{C}$
- Reliability, MTBF $> 200'000\text{h}$ at $+25^{\circ}\text{C}$
- Input/Output isolation voltage: 3000VAC
- Output power: 100W
- Output voltage: 5VDC
- Output current: max 20A
- Weight: 500g



Modul schematic



MICONT Ltd. 1113 Sofia, Bulgaria, Tzarigradsko Chs. 125, Bl. 26-B Tel. (+ + 359 2) 732 951, Fax (+ + 359 2) 723 953

ENVIROMENTAL CONDITIONS:	REFERENCE	EXTREME	TRANSPORTATION
Temperature range	20°C to 25°C	0°C to 50°C	-30°C to 65°C
Humidity (%RH)	10% to 60%	10% to 90%	5% to 95%