

## DATA SHEET

Part N°DS TB 22-1735A

## MIC-22 TERMINAL BLOCK

### MIC-735A 2 Fully Isolated Analog Inputs with +24V voltage source

The module provides 2 fully isolated analog channels for current or voltage inputs and +24V voltage source.

#### Specifications:

Input range: 0 – 20 mA, 0 – 5 mA,  
4 – 20 mA, +5VDC

Isolation: - 500VDC (optionally 1500VDC) to the system  
- 2000V channel to channel

Overvoltage protection:  $\pm 100$ VDC

Accuracy: 0,1%

Nonlinearity: 0,06%

Resolution: 12 bit

Input Filter: 50Hz

Open sensor detection

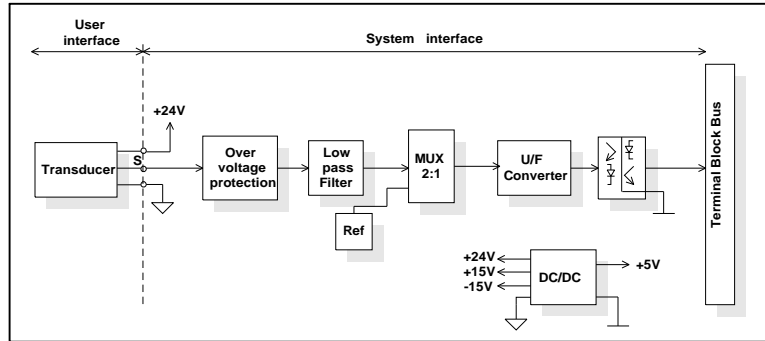
Conversion time: 120 ms

Input Impedance: - 250  $\Omega$ /0,1% for Inputs

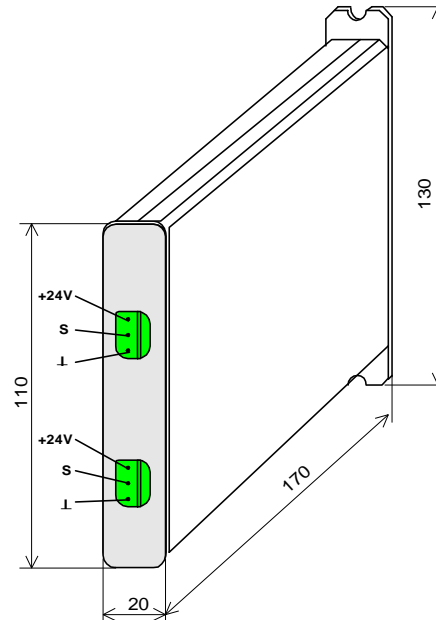
20 mA, 4 – 20 mA;  
- 1 k $\Omega$ /0,1% for Inputs  
0 – 5 mA;  
- 10 M $\Omega$  for Inputs  
0 – 5 V

Power consumption: max 1,3 W per channel

Weight: 150 g



Input channel schematic



MICONT Ltd. 1113 Sofia, Bulgaria, Tzarigradsko Chs. 125, Bl. 26-B Tel. ( + + 359 2 ) 732 951, Fax ( + + 359 2 ) 732 953

ENVIROMENTAL CONDITIONS:	REFERENCE	EXTREME	TRANSPORTATION
Temperature range	20°C to 25°C	0°C to 50°C	-30°C to 65°C
Humidity (%RH )	10% to 60%	10% to 90%	5% to 95%