

DATA SHEET

Part N°DS TB 22-1736

MIC-22 TERMINAL BLOCK

MIC-736 2 Fully Isolated Analog Inputs - Termoresistors

The module provides 2 fully isolated analog input channels for 3-wire temperature measurement using sensor types Pt 100, Pt 50, Cu 50, Cu 53, Cu 100 and Ni 100 driven by on-board current source.

Specifications:

Isolation: - 500VDC (optionally 1500VDC) to the system
 - 2000V channel to channel

Overvoltage protection: ± 30 V

Nonlinearity 0,06%

Resolution 12 bit

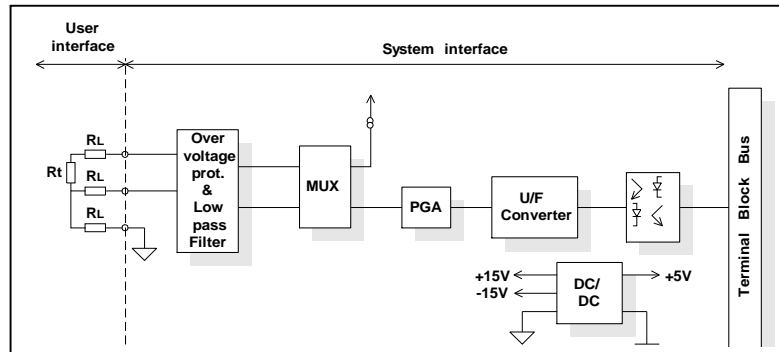
Open sensor detection

Conversion time: 240 ms

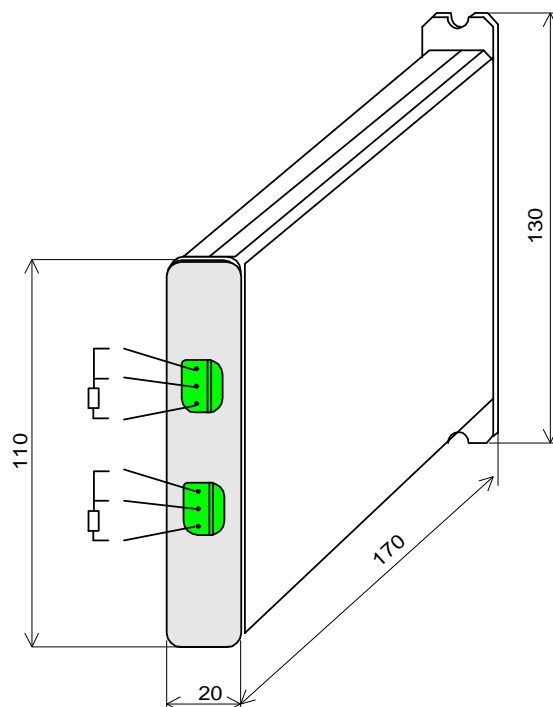
Input Impedance: min 10 M Ω

Power consumption: 250 mW per channel

Weight: 150 g



Input channel schematic



Sensor type	Range °C	Accur. °C
Cu 100	-200...+200	0,6
Cu 50	-50...+200	0,4
Cu 53	-50...+180	0,4
Pt 100 DIN	-200...+850	1,1
Pt 100 IOCT	-200...+490	1
Ni 100	-60...+180	0,35
Pt 50	-228...+368	1

Line resistance (RL) max 10 Ω

MICONT Ltd. 1113 Sofia, Bulgaria, Tzarigradsko Chs. 125, Bl. 26-B Tel. (+ + 359 2) 732 951, Fax (+ + 359 2) 732 953

ENVIROMENTAL CONDITIONS:	REFERENCE	EXTREME	TRANSPORTATION
Temperature range	20°C to 25°C	0°C to 50°C	-30°C to 65°C
Humidity (%RH)	10% to 60%	10% to 90%	5% to 95%