

**DATA SHEET**

Part N°DS TB 22-1738

## MIC-22 TERMINAL BLOCK

### MIC-738 6 Optoisolated Analog Inputs

The module provides 6 optoisolated differential analog channels for current inputs.

**Specifications:**

Input range: 0 - 20 mA  
 Isolation: - 1000VDC (optionally 1500VDC) to the system  
 - channel to channel - single ended

Overvoltage protection:  $\pm 100$  VDC

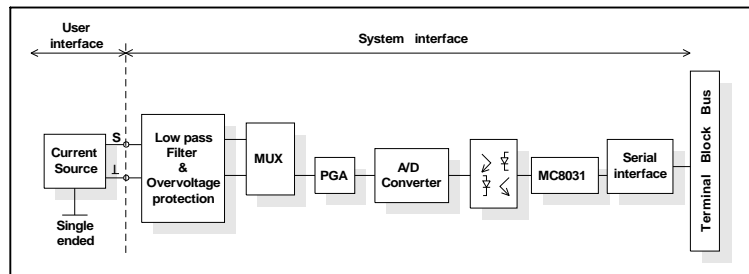
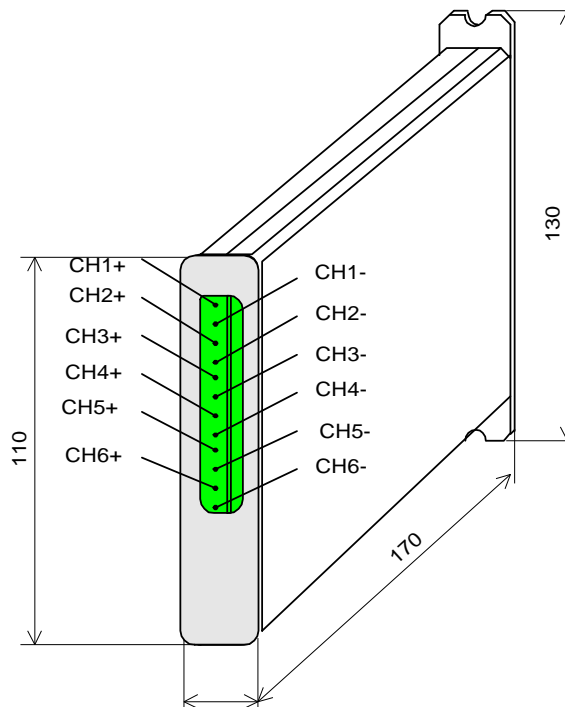
Accuracy: 0,1%

Conversion time: 80 ms

Input impedance: 100  $\Omega$

Power consumption: 500 mW

Weight: 150 g


**Input channel schematic**


MICONT Ltd. 1113 Sofia, Bulgaria, Tzarigradsko Chs. 125, Bl. 26-B Tel. ( + + 359 2 ) 732 951, Fax ( + + 359 2 ) 732 953

ENVIROMENTAL CONDITIONS:	REFERENCE	EXTREME	TRANSPORTATION
Temperature range	20°C to 25°C	0°C to 50°C	-30°C to 65°C
Humidity (%RH )	10% to 60%	10% to 90%	5% to 95%