

DATA SHEET

Part N°DS TB 22-1738T

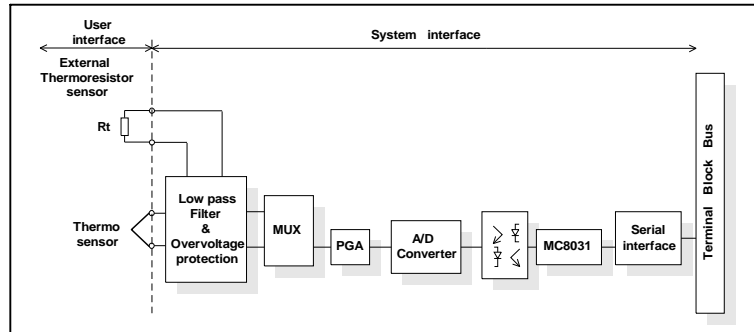
MIC-22 TERMINAL BLOCK

MIC-738T 6 Optoisolated Analog Inputs - Thermocouples

The module provides 6 optoisolated analog input channels for accurate temperature measurement using thermocouple sensor types B, E, J, K, R, S, T, T526 and HC.

Specifications:

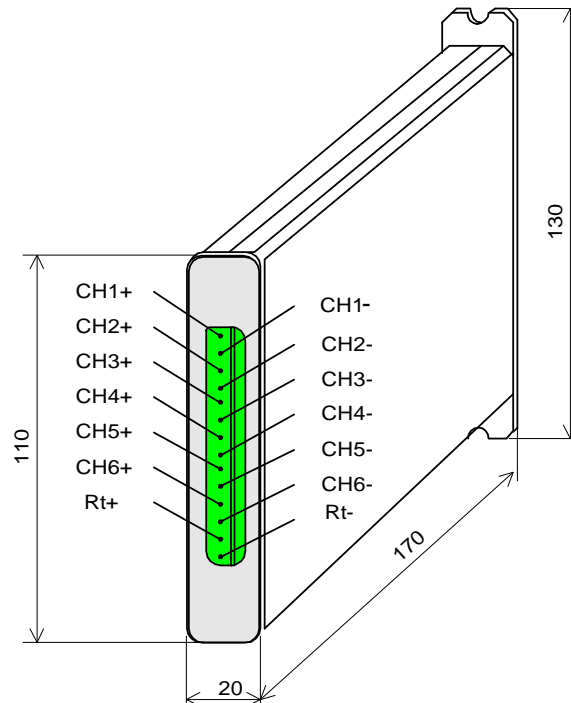
- Isolation: - 1000VDC (optionally 1500VDC) to the system
- channel to channel - single ended
- Overvoltage protection: ± 35 V
- Resolution: 12 bit
- Open sensor detection
- Conversion time: 80 ms
- Input impedance: 10 M Ω
- Power consumption: 500 mW
- Weight: 150 g



Input channel schematic

TC	Range °C	Accuracy °C
B	0...1820	2,5
E	-270...1000	1,5
HC	-50...800	1
J	-210...770	1,4
K	-270...1372	2
R	-50...1768	2
S	-50...1768	2
T	-270...400	1
T526	0...2320	2,5

Common 2wire Cold junction



MICONT Ltd. 1113 Sofia, Bulgaria, Tzarigradsko Chs. 125, Bl. 26-B Tel. (+ + 359 2) 732 951, Fax (+ + 359 2) 732 953

ENVIROMENTAL CONDITIONS:	REFERENCE	EXTREME	TRANSPORTATION
Temperature range	20°C to 25°C	0°C to 50°C	-30°C to 65°C
Humidity (%RH)	10% to 60%	10% to 90%	5% to 95%