

DATA SHEET

Part N°DS TB 22-1742

MIC-22 **TERMINAL BLOCK**

MIC-742 *2 Fully Isolated Analog Outputs*

The module provides 2 fully isolated analog output current channels

Specifications:

Output range: 0 – 20 mA (4 – 20 mA)
 Isolation: - 500VDC (optionally 1500VDC) to the system
 - channel to channel 2000V

Resolution: 12 bit

Relative Accuracy: $\pm 1/2$ LSB

Linearity error: $\leq \pm 1$ LSB

External Power Supply: not needed

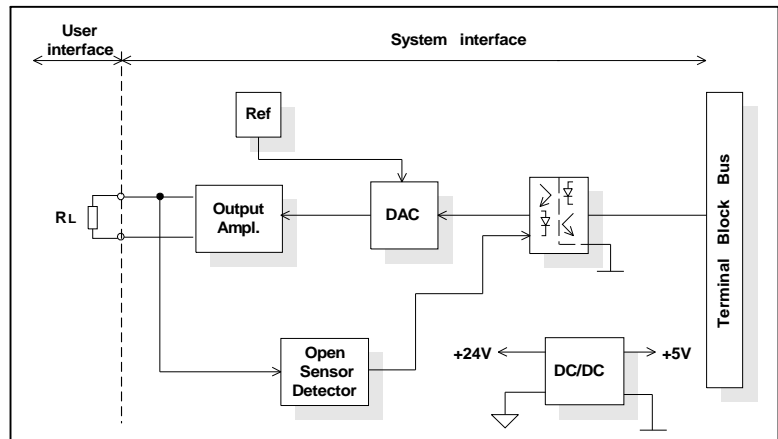
Load Resistance: $\leq 500 \Omega$

Open line detection

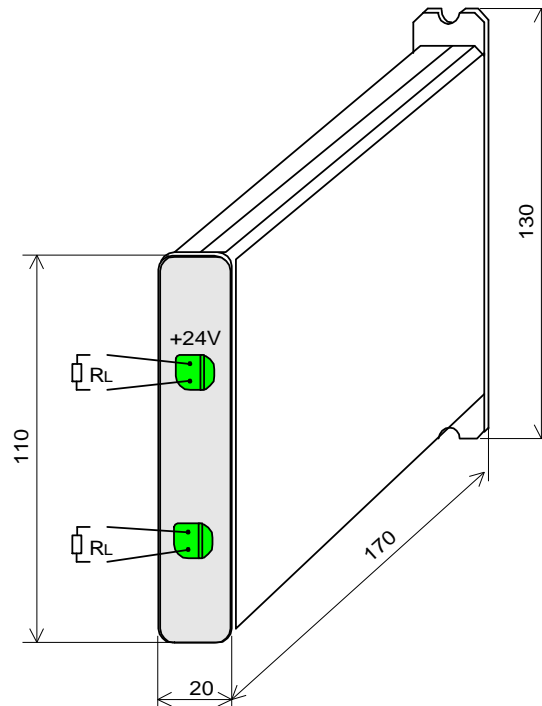
Power - ON -Reset (glitch free):- 0 mA until initialised by the system software

Power consumption: 900 mW per channel

Weight: 150 g



Output channel schematic



MICONT Ltd. 1113 Sofia, Bulgaria, Tzarigradsko Chs. 125, Bl. 26-B Tel. (+ + 359 2) 732 951, Fax (+ + 359 2) 732 953

ENVIROMENTAL CONDITIONS:	REFERENCE	EXTREME	TRANSPORTATION
Temperature range	20°C to 25°C	0°C to 50°C	-30°C to 65°C
Humidity (%RH)	10% to 60%	10% to 90%	5% to 95%