

### DATA SHEET

Part N°DS TB 22-1747

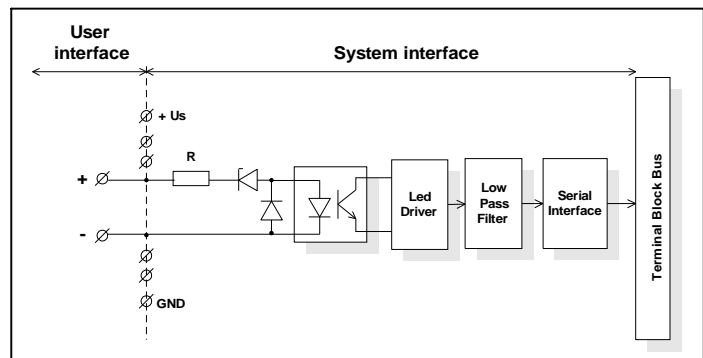
## MIC-22 TERMINAL BLOCK

### MIC-747 6 Fully Isolated Digital Inputs

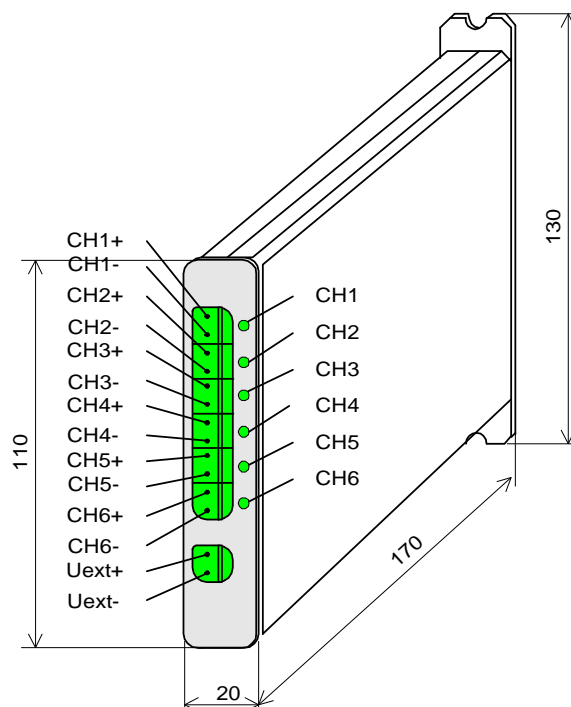
The module provides six optoisolated DC digital inputs. The 6 input channels may be supplied from external or from internal power supply. These two options are jumper selectable. A low pass RC filter restricts signals, exceeding the filter limit. The input channel states (on or off) are indicated by LED's (one per input channel).

#### Specifications:

- Number of channels: 6
- Isolation: - 1000VDC to the system  
- channel to channel 1000V
- Input Voltage: - 24VDC  $\pm 10\%$  (with Internal Power Supply)  
- Up to 24VDC  $\pm 10\%$  (with External Power Supply- Depending on the Value of Resistor R)
- Input Current: 6 mA ( typ)
- Input Protection: Clamping Diode
- Input Frequency: up to 5 kHz (square wave)
- Front Panel Indication: 6 LED's;
- Temperature Range: - ( 5 ... 60°C ) - Working  
- ( -10...85°C ) - Storage
- Power consumption: 2 W
- Weight: 150 g



*Input channel schematic*



MICONT Ltd. 1113 Sofia, Bulgaria, Tzarigradsko Chs. 125, Bl. 26-B Tel. ( + + 359 2 ) 732 951, Fax ( + + 359 2 ) 732 953

<b>ENVIROMENTAL CONDITIONS:</b>	<b>REFERENCE</b>	<b>EXTREME</b>	<b>TRANSPORTATION</b>
Temperature range	20°C to 25°C	0°C to 50°C	-30°C to 65°C
Humidity (%RH )	10% to 60%	10% to 90%	5% to 95%