

DATA SHEET

Part N°DS TB 22-1749

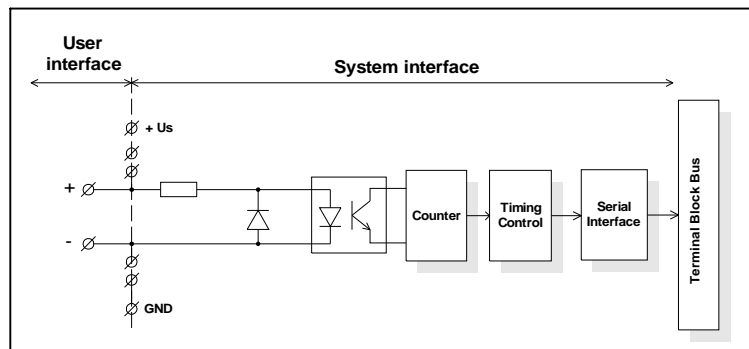
MIC-22 **TERMINAL BLOCK**

MIC-749 *6 Fully Isolated Counting Inputs*

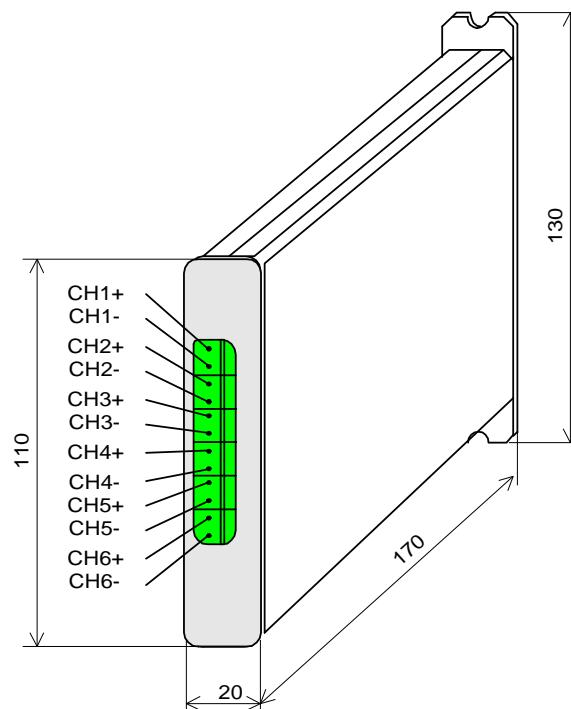
The module provides six optoisolated input channels for measurement of input frequency or events. The modes of operation for events or for frequency measurement are software controlled.

Specifications:

- Number of channels: 6
- Isolation: - 1000VDC to the system
- channel to channel 1000V
- Input Voltage: 24VDC $\pm 10\%$
- Input Current: 8 mA (typ)
- Input Protection: Clamping Diode
- Input Frequency: up to 100 kHz (square wave)
- Temperature Range: - (5 ... 60°C) - Working
- (-10...85°C) - Storage
- Power consumption: 1 W
- Weight: 150 g



Input channel schematic



MICONT Ltd. 1113 Sofia, Bulgaria, Tzarigradsko Chs. 125, Bl. 26-B Tel. (+ + 359 2) 732 951, Fax (+ + 359 2) 732 953

ENVIROMENTAL CONDITIONS:	REFERENCE	EXTREME	TRANSPORTATION
Temperature range	20°C to 25°C	0°C to 40°C	-30°C to 65°C
Humidity (%RH)	10% to 60%	10% to 90%	5% to 95%